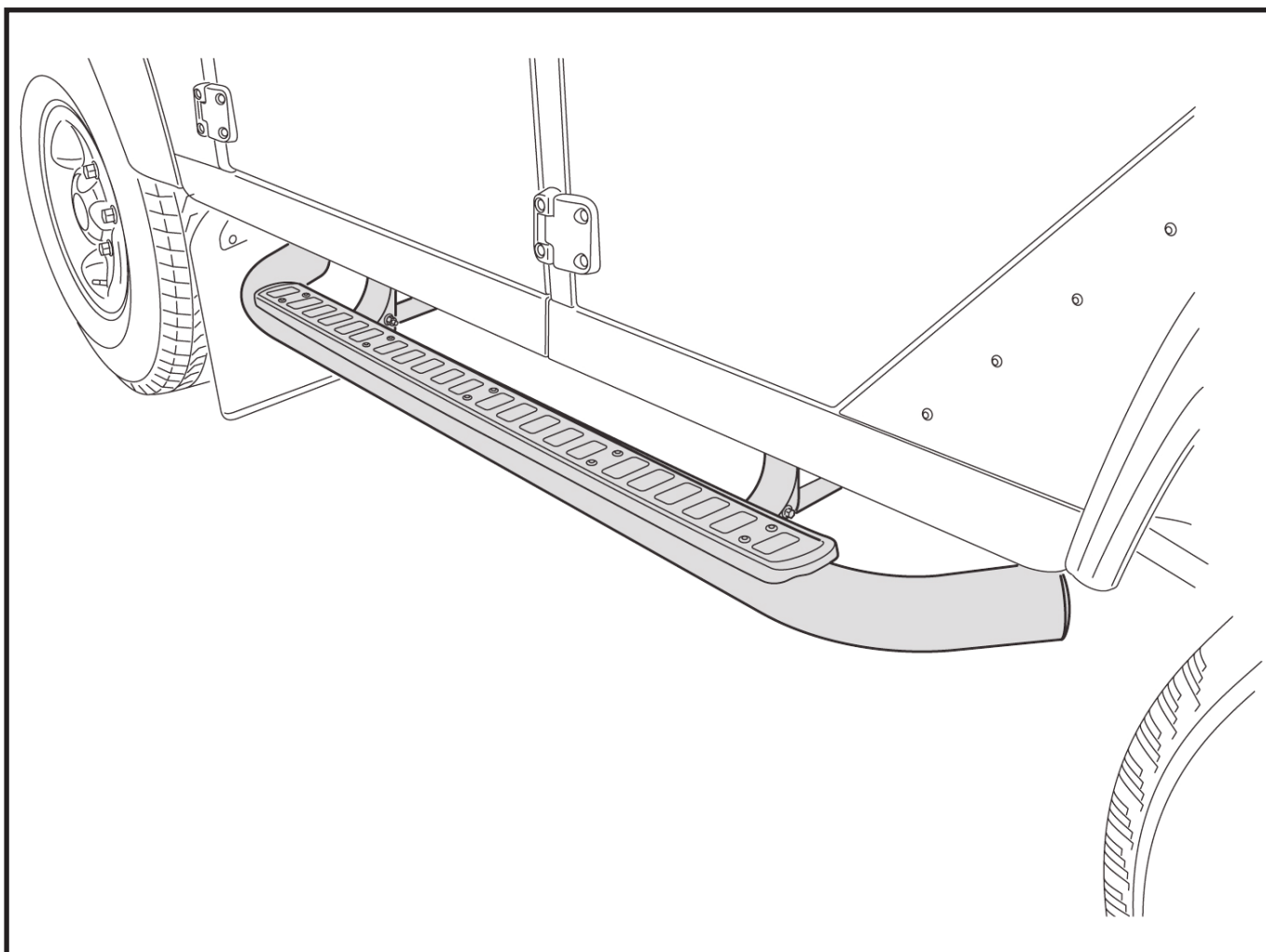


FITTING INSTRUCTIONS

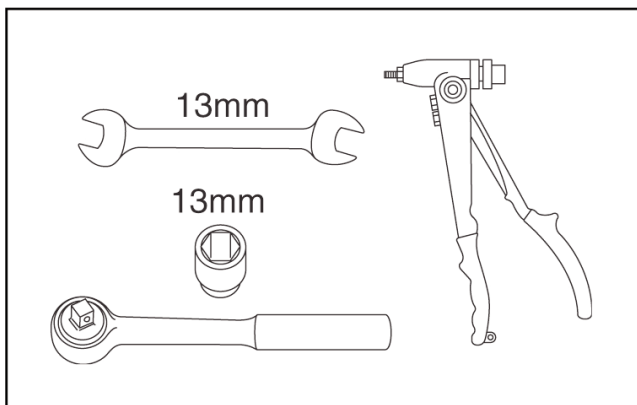
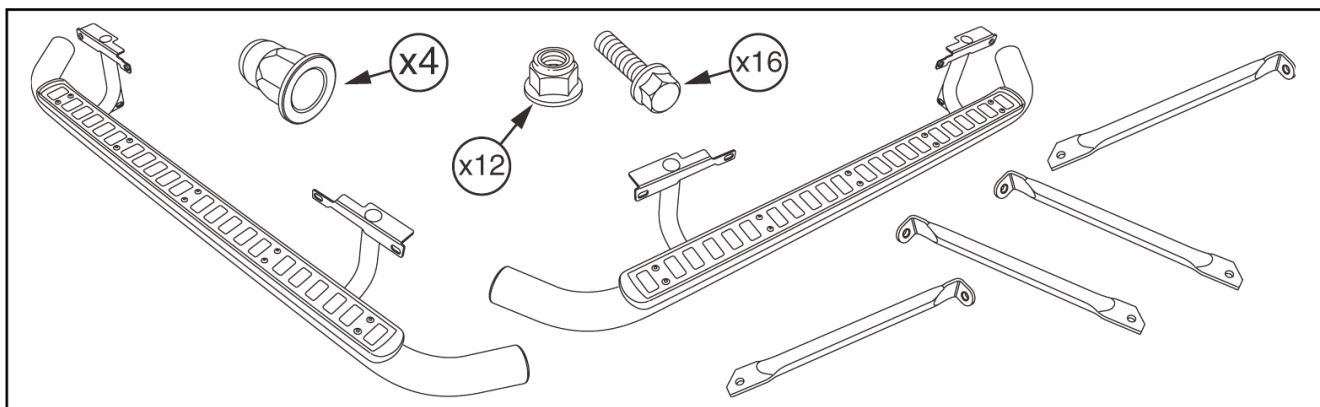
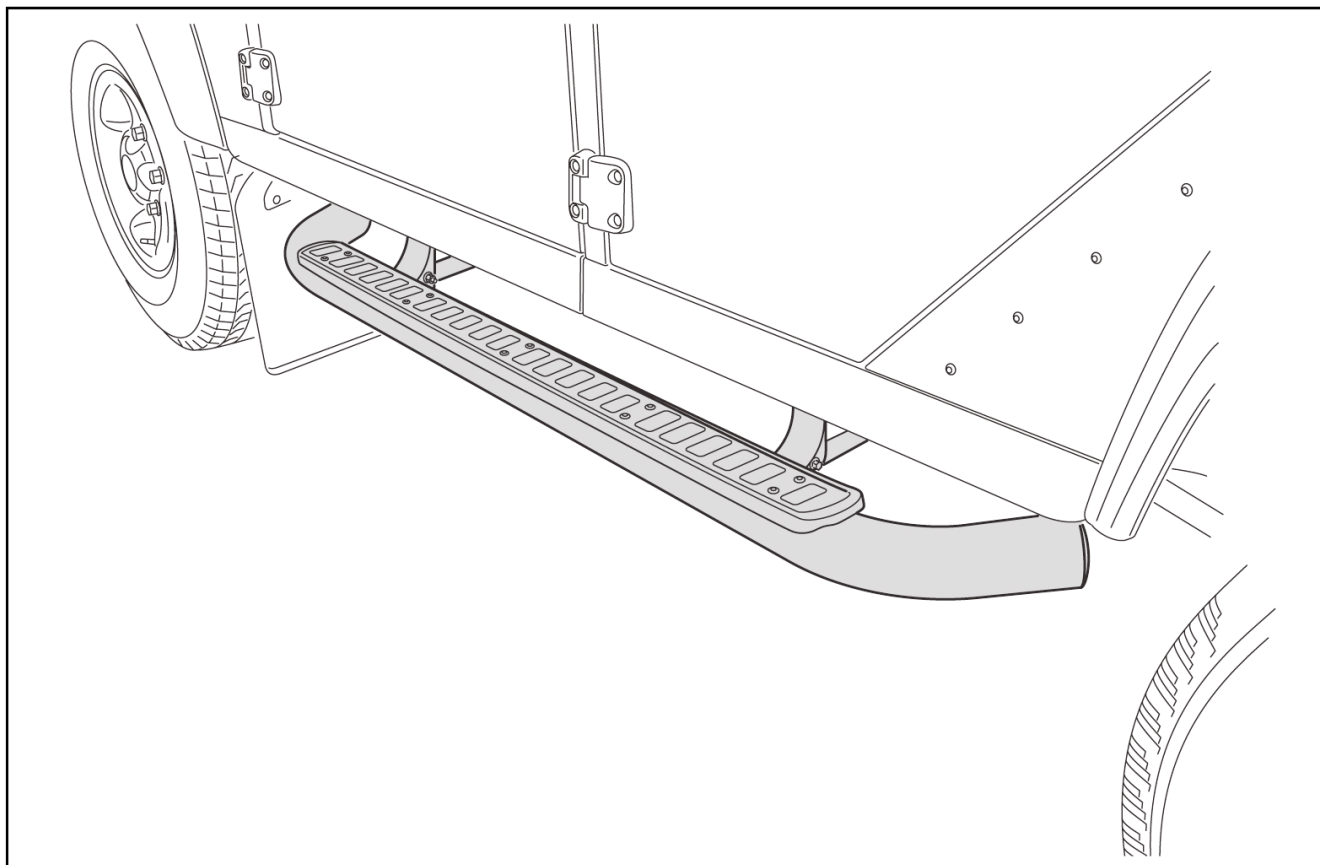
> Defender



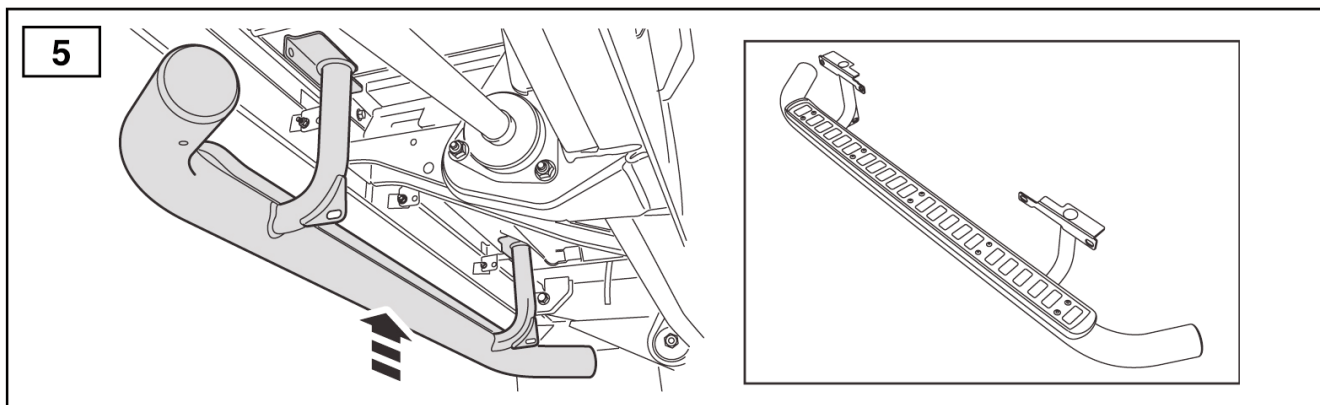
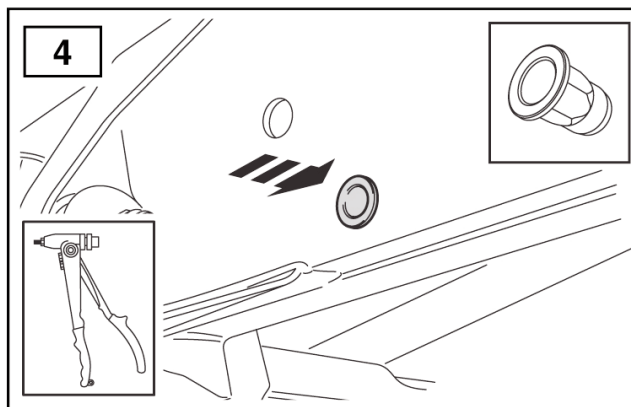
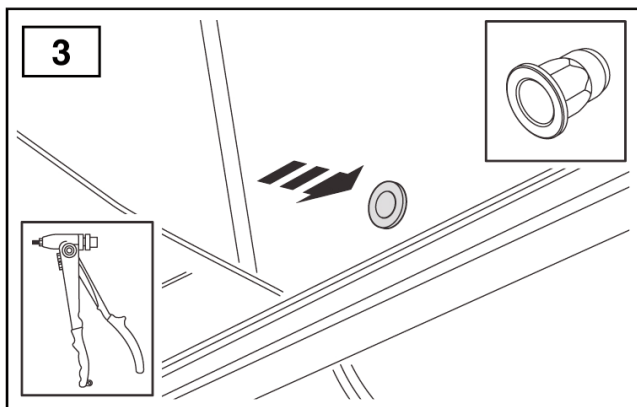
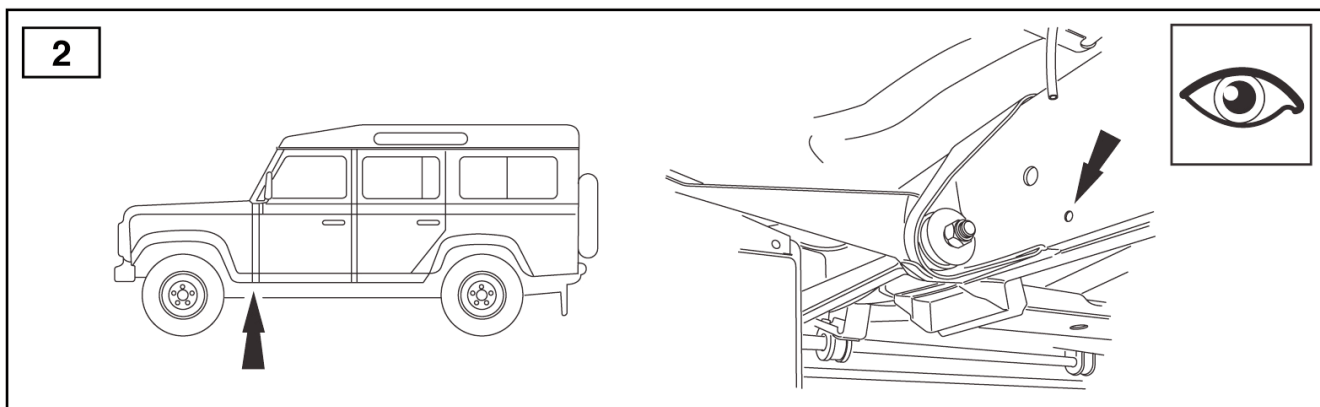
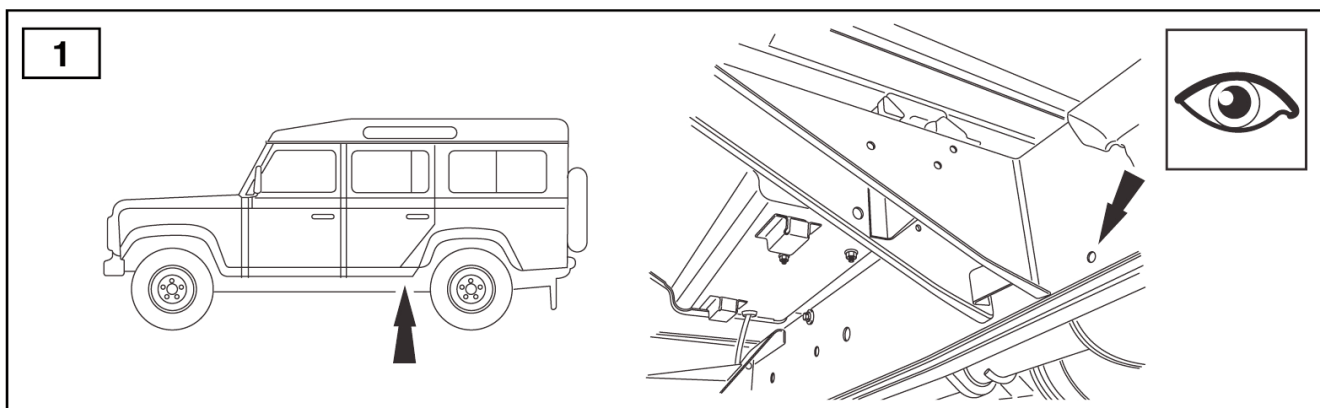
Side Steps

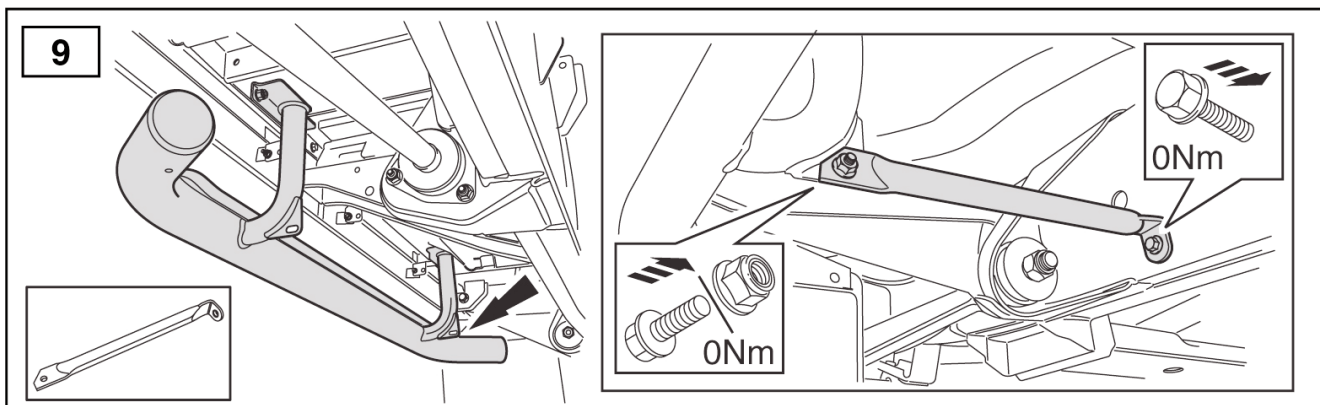
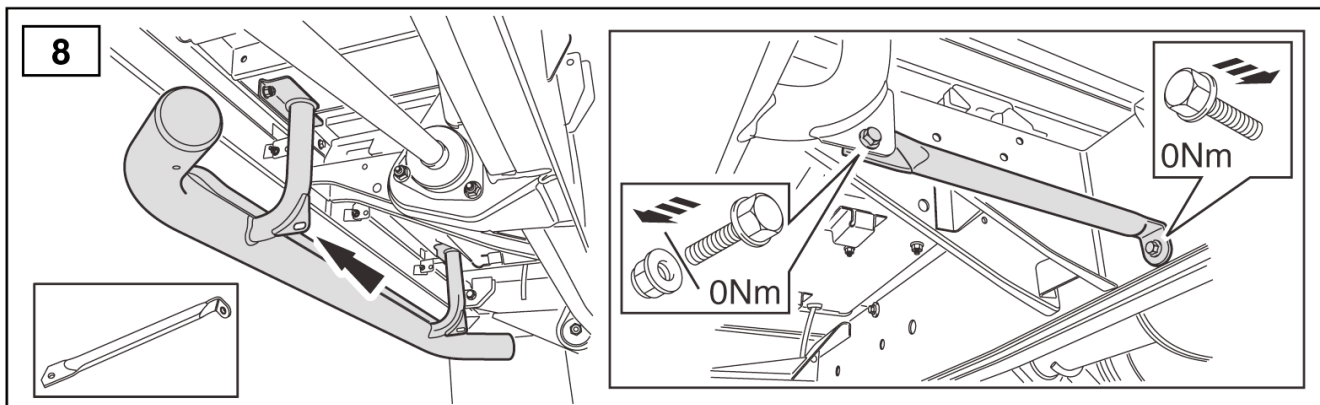
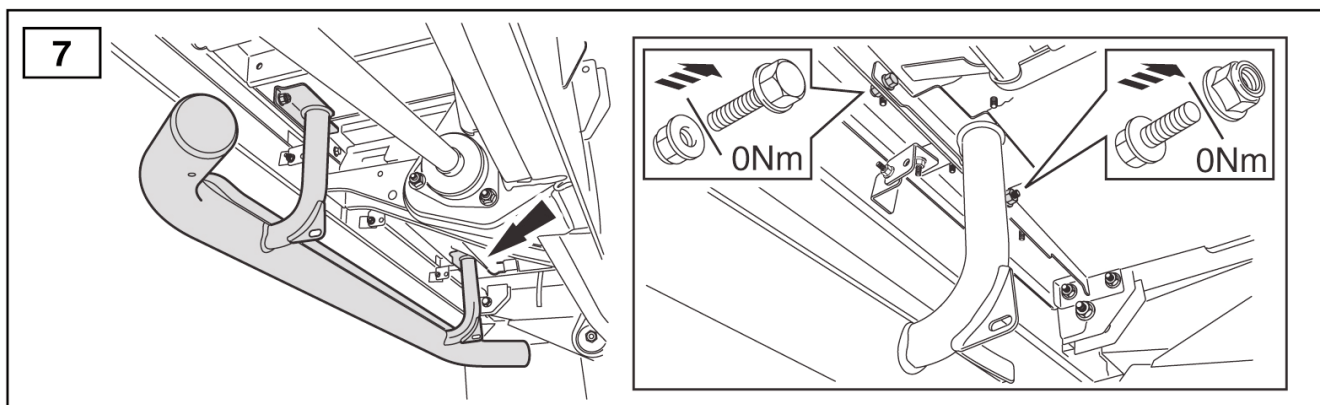
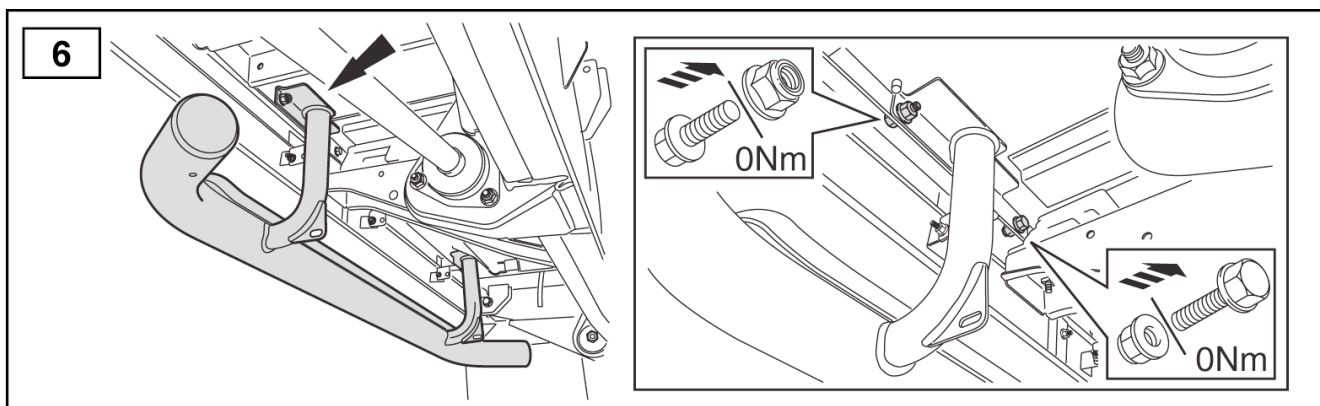
BRITPART

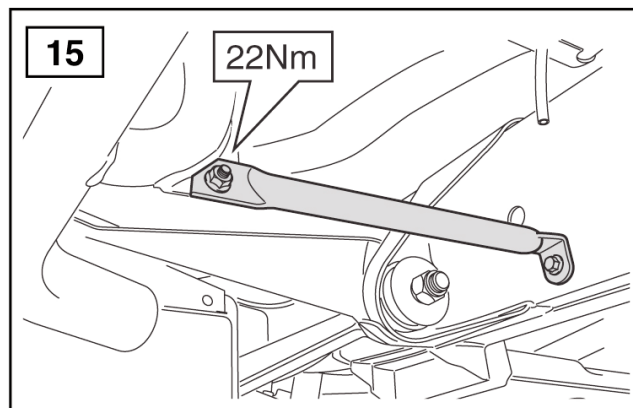
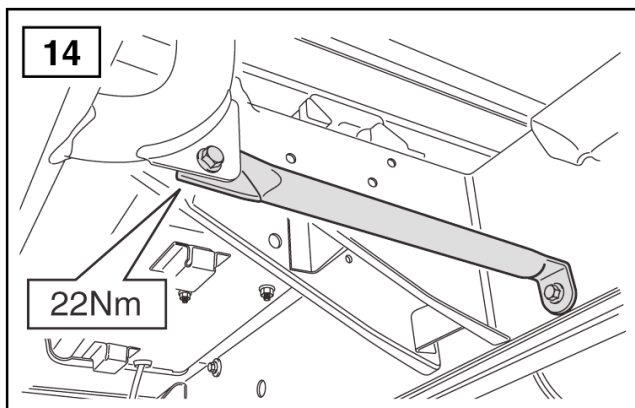
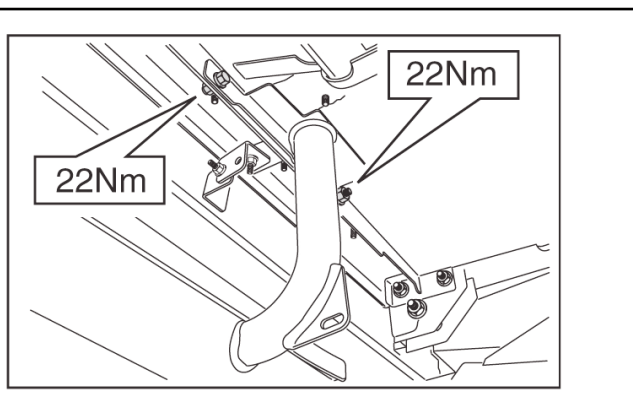
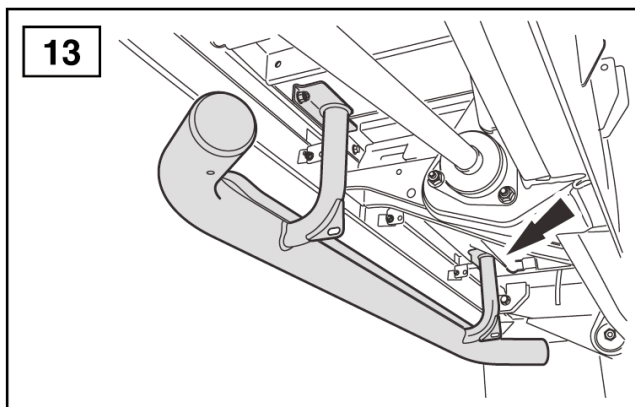
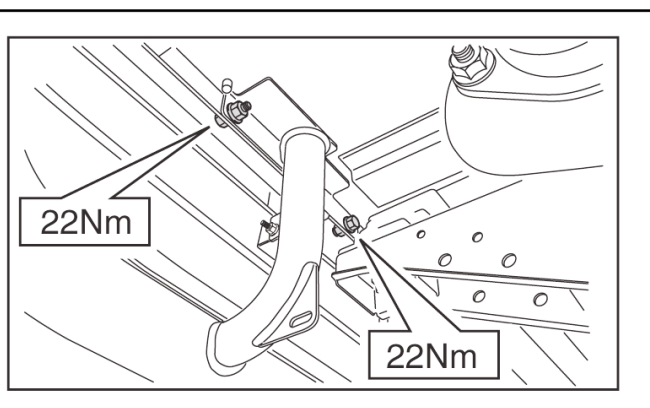
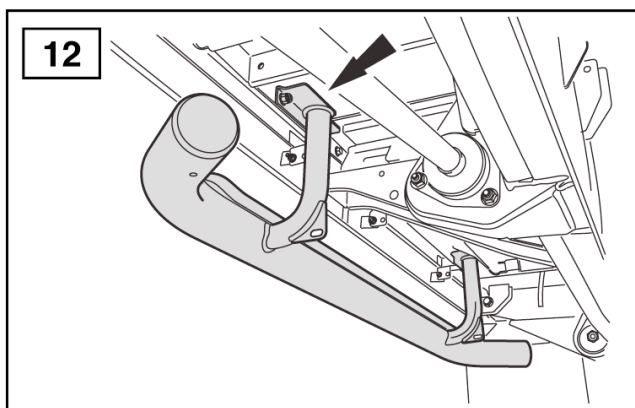
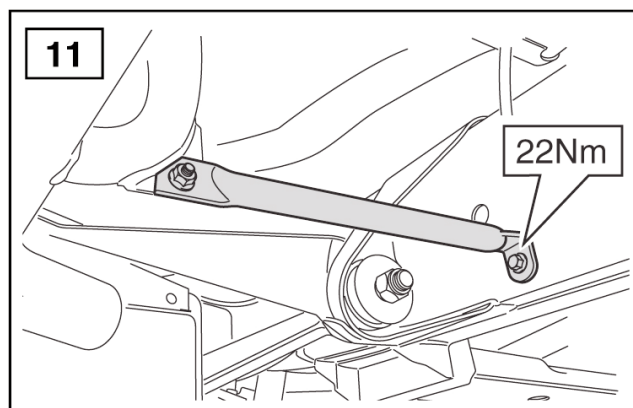
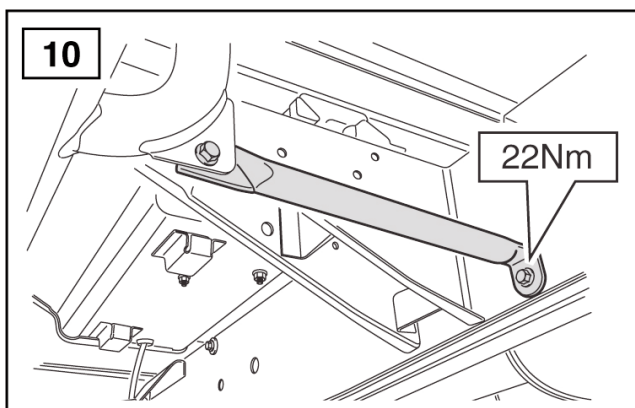
The quality parts for Land Rovers



The following instructions are valid for both sides of the vehicle.







WARNING

Accessories which are not properly fitted can be dangerous.

Read the instructions carefully prior to fitting.

Whilst fitting, comply with the instructions at all times.