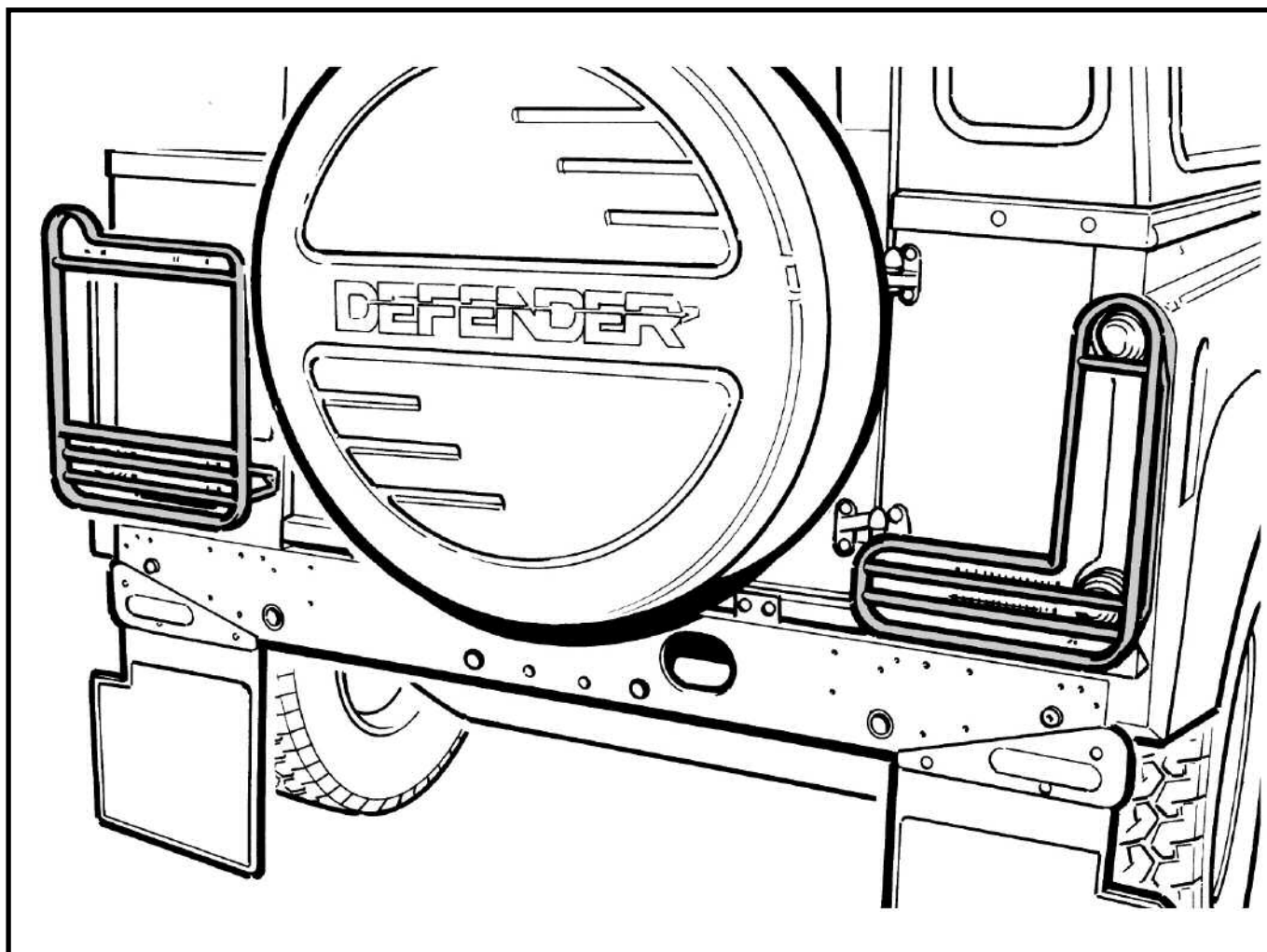


FITTING INSTRUCTIONS

> Defender



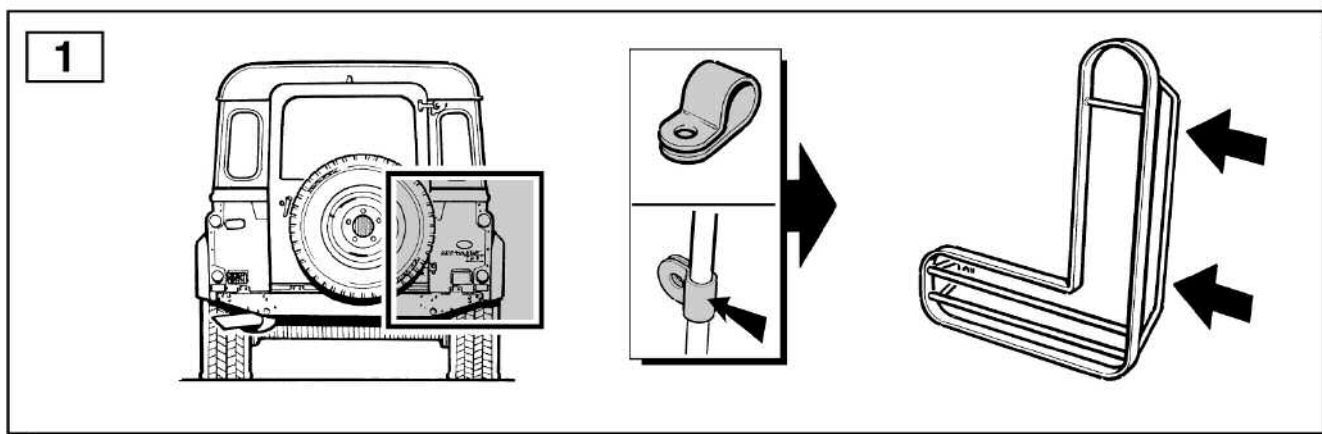
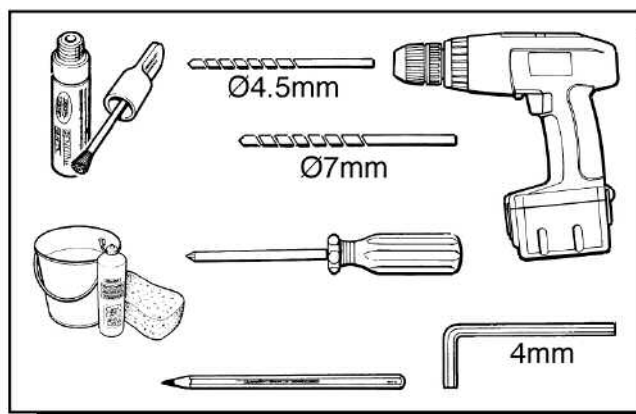
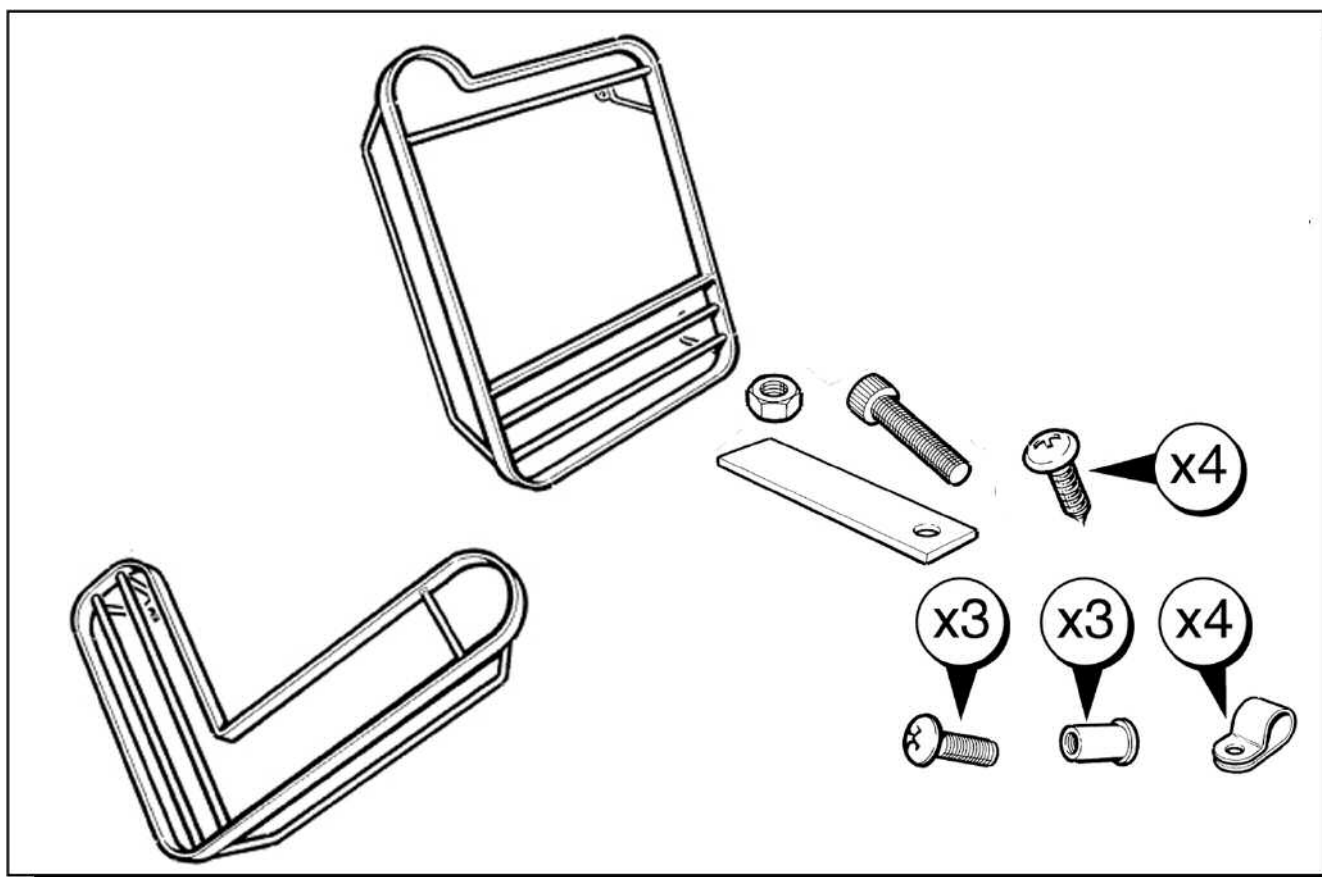
Rear Lamp Guards

BRITPART

The quality parts for Land Rovers

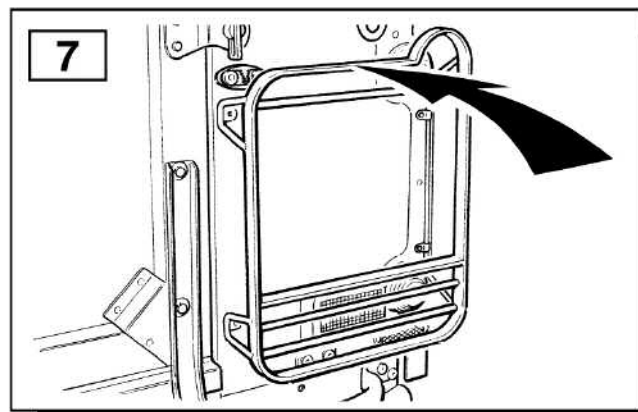
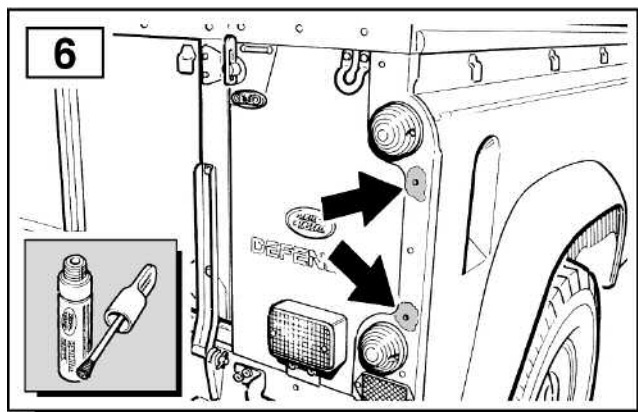
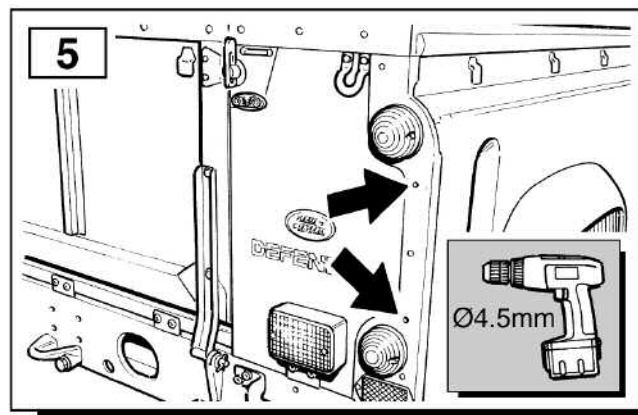
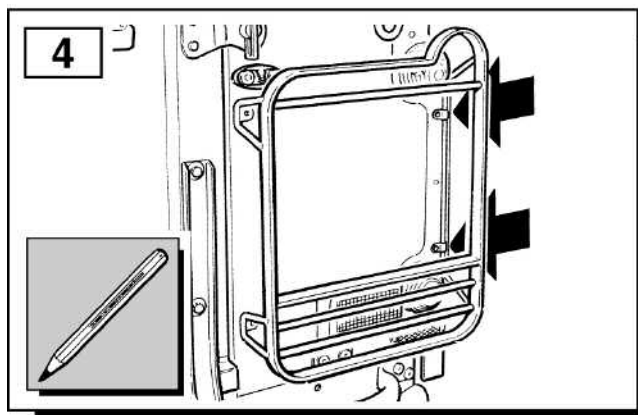
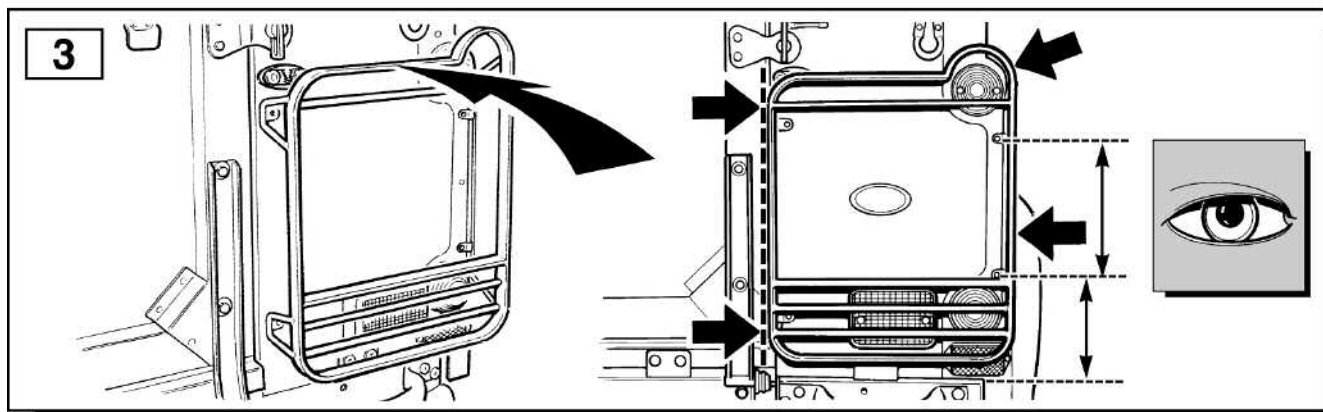
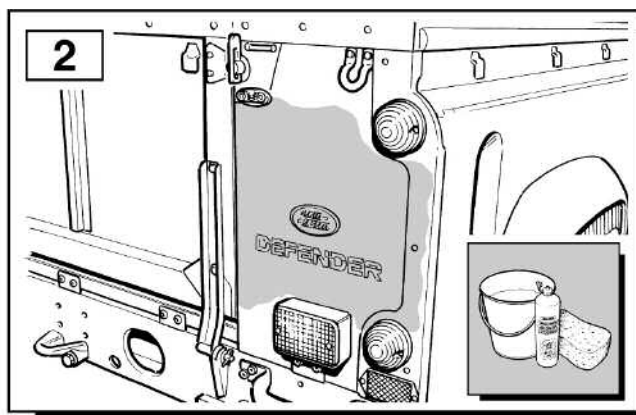
Fitting Instructions

Defender - Rear Lamp Guards



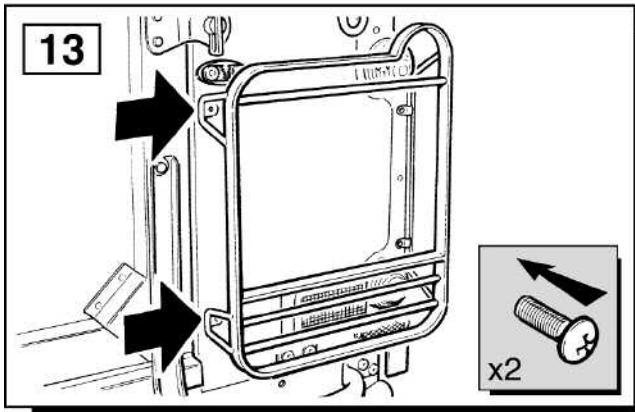
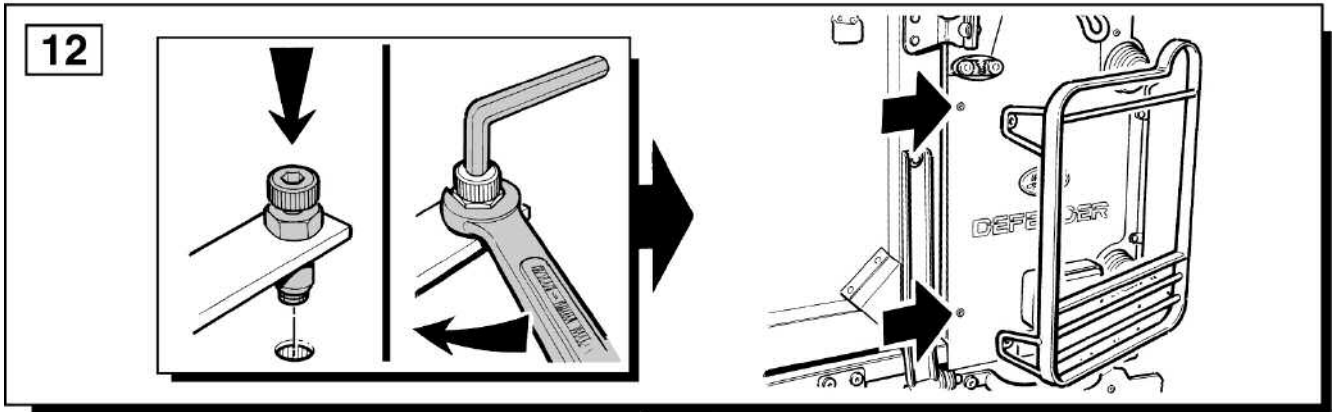
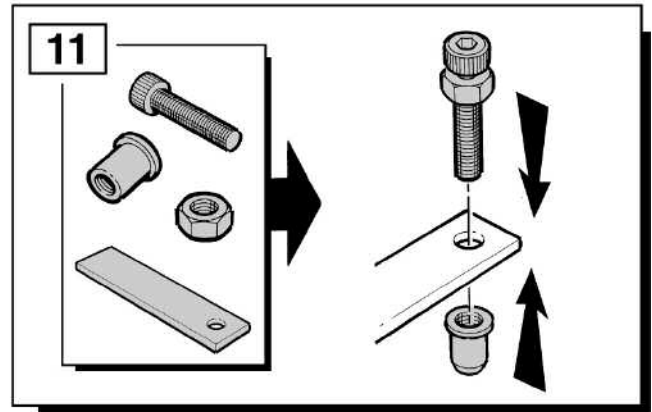
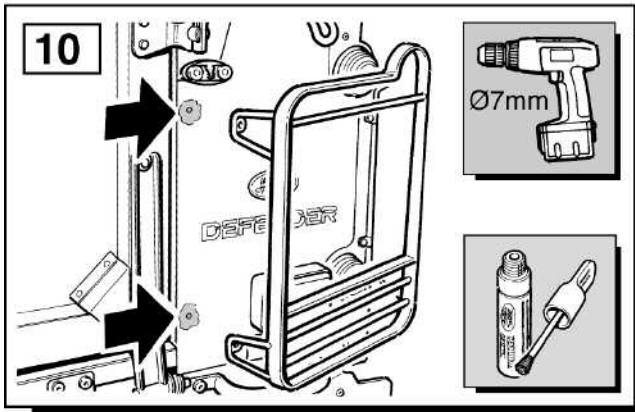
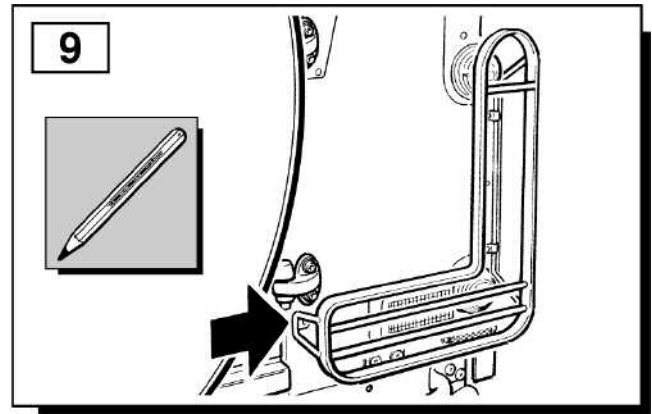
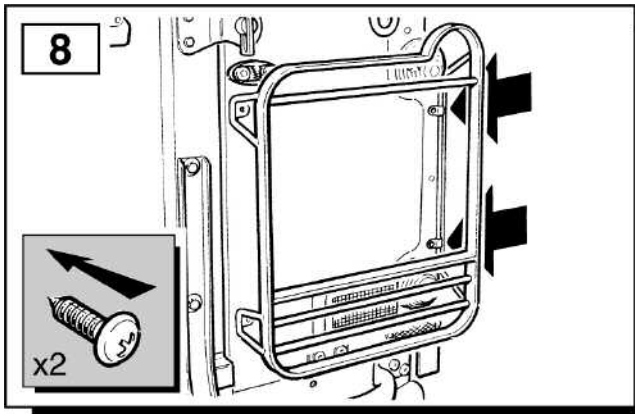
Fitting Instructions

Defender - Rear Lamp Guards



Fitting Instructions

Defender - Rear Lamp Guards



Repeat procedure for the opposite side

WARNING

Accessories which are not properly fitted can be dangerous. Read the instructions carefully prior to fitting. Whilst fitting, comply with the instructions at all times.